

BUTLER

SPECIALTY COMPANY

Est. 1930

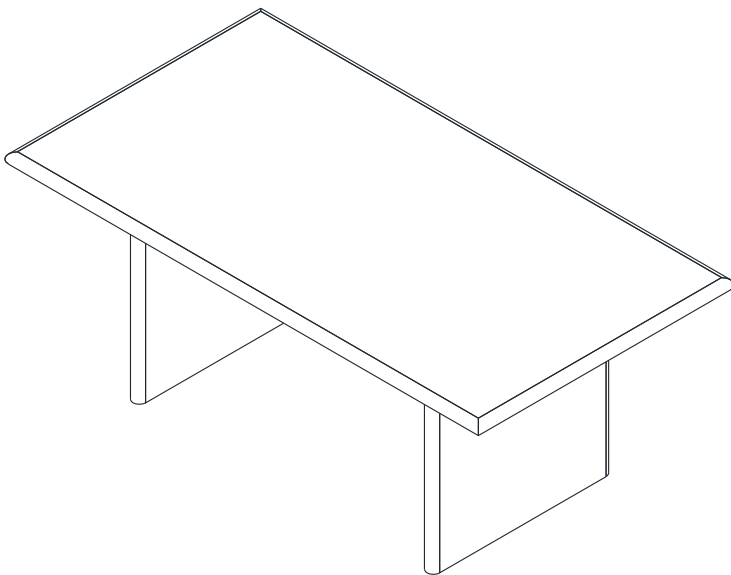
Assembly Instructions

5765497

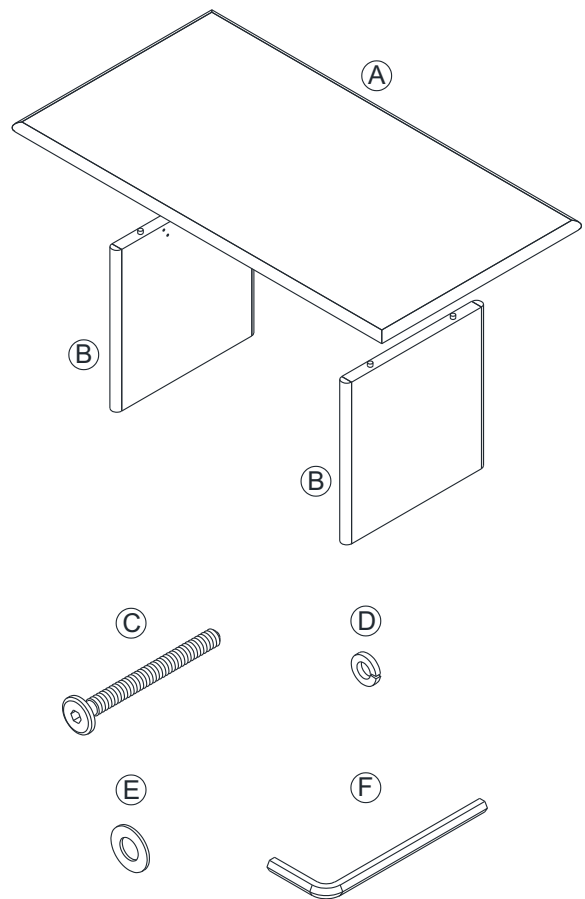
5765498

5765488

Dining Table

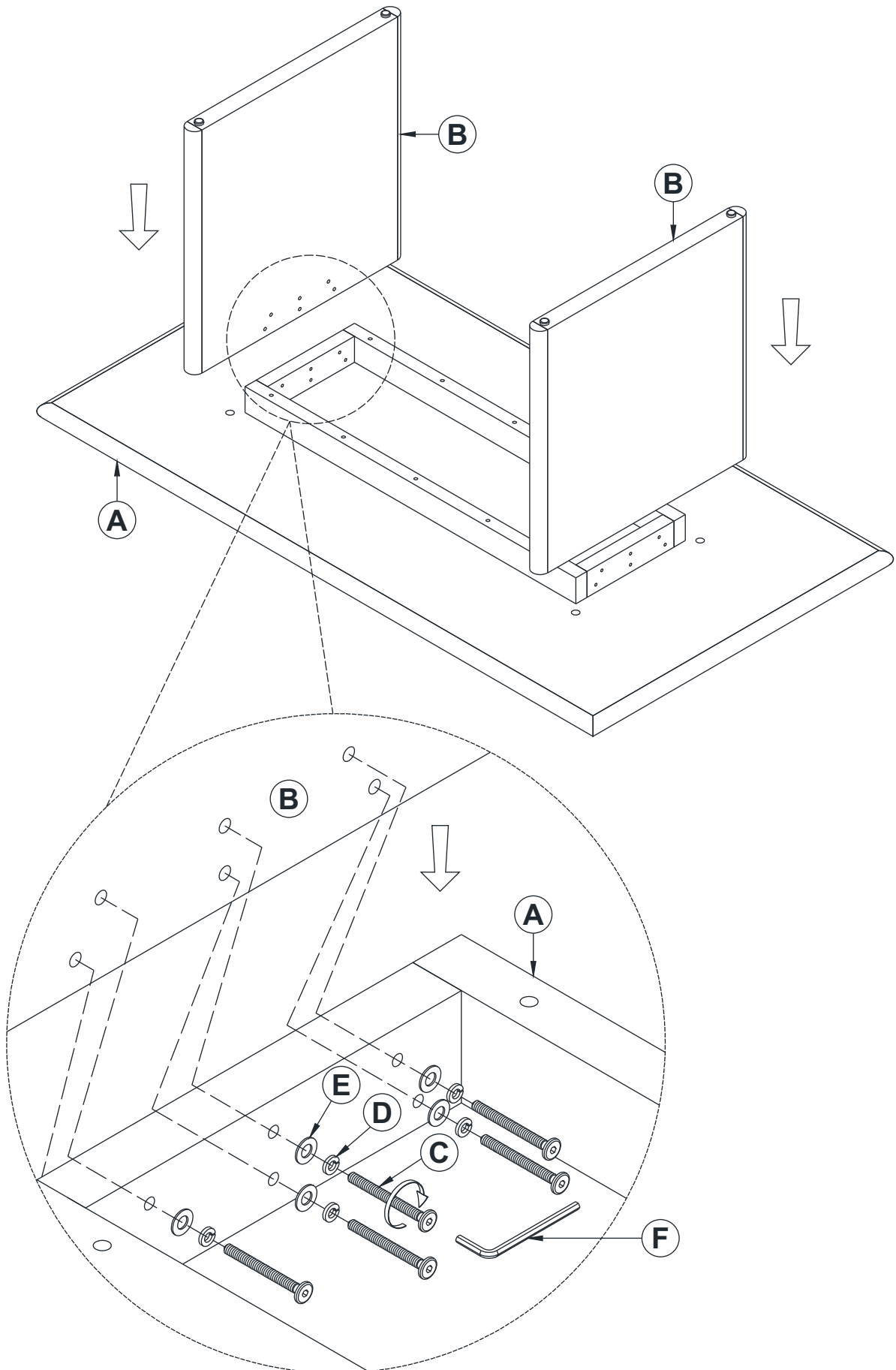


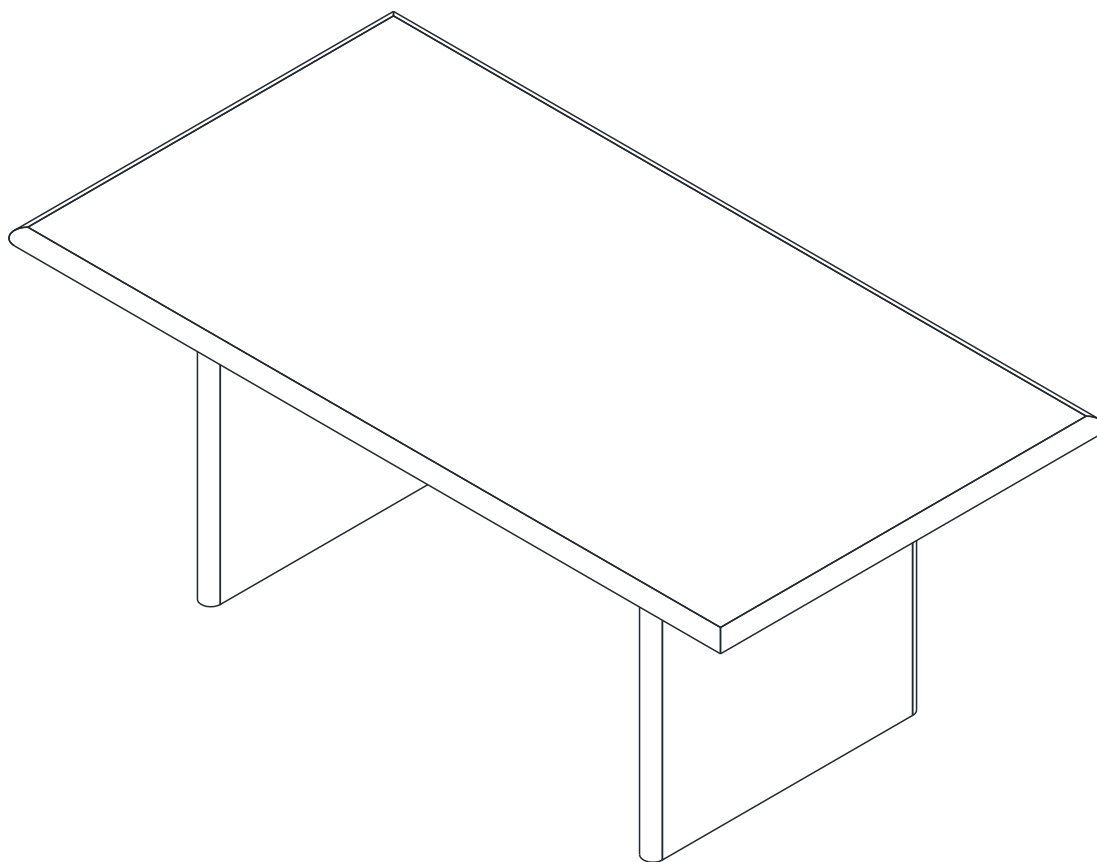
ITEM	DESCRIPTION	QUANTITY
A	Top Table	1
B	Legs	2
C	Bolt M6 x 60 mm	12
D	Lock Washer M6	12
E	Flat Washer 16 x 6 x 1	12
F	Allen Key 4 mm	1



STEP 1

Attach Legs (B) to Top Table (A) using Bolt M6 x 60 mm (C), Lock Washer M6 (D), Flat Washer 16 x 6 x 1 (E), Allen Key 4 mm (F) clockwise to tighten as shown below.





Congratulations

Assembly complete, Your Dining Table is ready to use.

(*) Caution : DO NOT OVERTIGHTEN

In any correspondence regarding this product, please include the complete Butler identification number located on the underside of the product.

We hope this product will be a useful and decorative addition to your home for years to come.

Copyright© Butler Specialty Company, 08 / 24